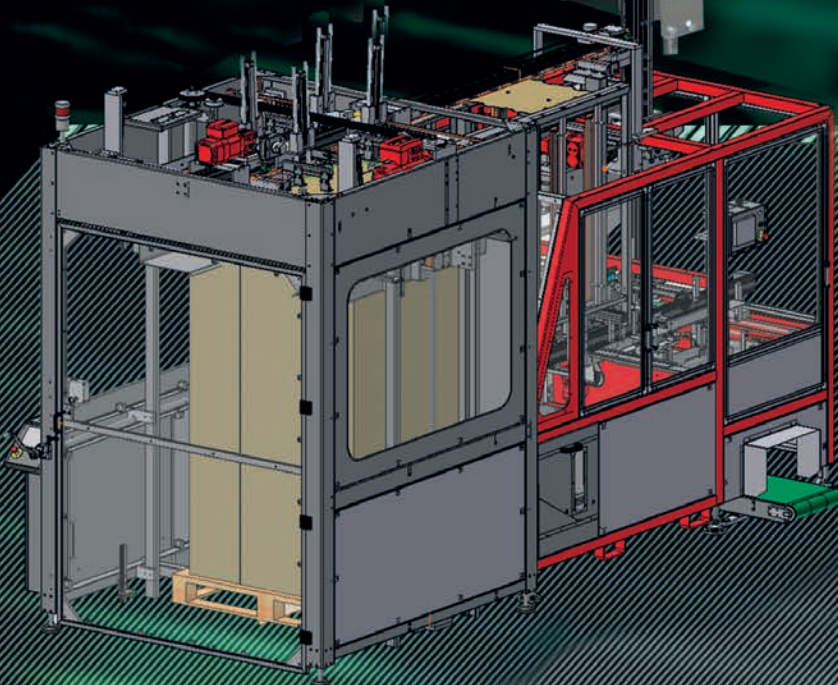
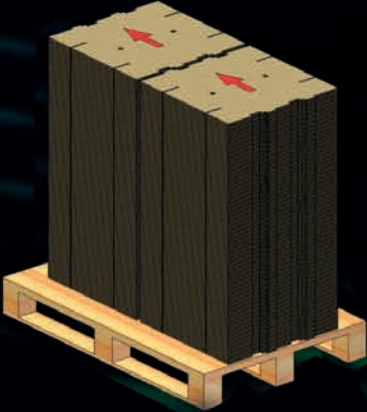
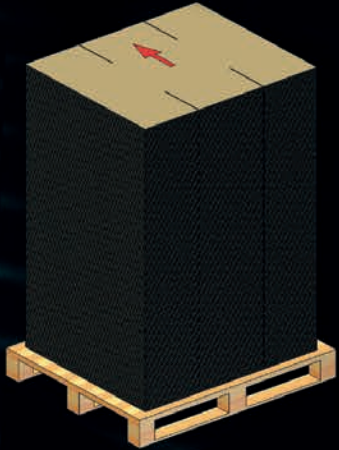


# Automated picking system for flat corrugated

**MULTIFORMAT OR  
MONOFORMAT**

With 1 or 2 stacks  
per pallet

**PSP**



Dimension of pallet and stacks // millimeters

WIDTH		LENGTH		HEIGHT
min	max	min	max	max
800	1200	800	1200	1800

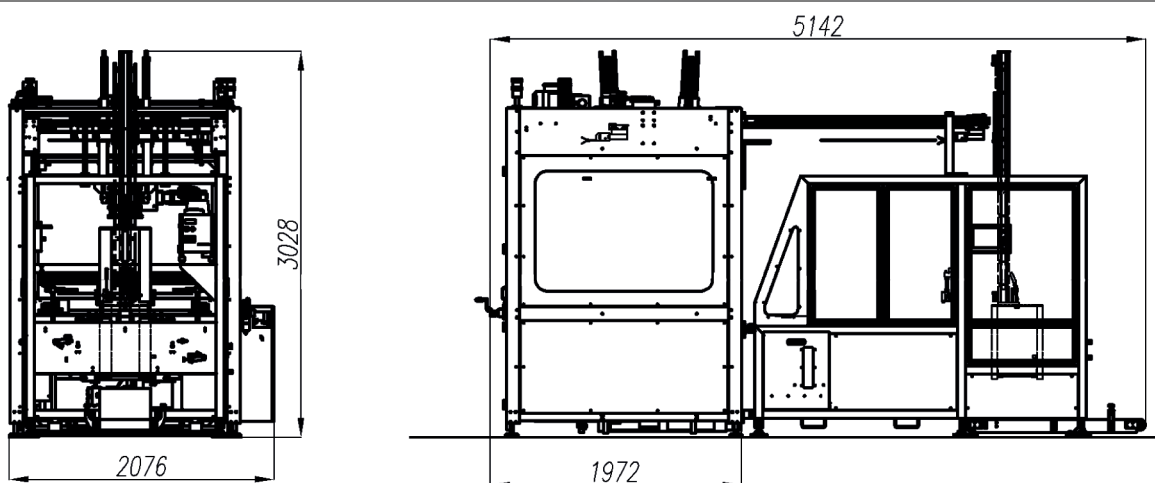
**MECA**  
**SYSTEME USA**  
**MILON**  
INNOVATIVE PACKAGING MACHINERY



# Specifications

- ▶ One or two stacks of corrugated per pallet.
- ▶ Output : 1200 trays/hour max for 2 stacks of corrugated on 1 pallet.
- ▶ Stand alone machine meant to interface with any existing tray erector
- ▶ Adaptable to several types of machine (MS, BTM, BMF, PC)
- ▶ Large single door for easy pallet entry
- ▶ Quick changeover by handwheels. Average time : 5 to 10 minutes
- ▶ Electrical rating: 9.3 HP
- ▶ Pneumatic consumption : 5 cfm @ 100 psi

**OPTIONS ▶ 304L stainless steel frame**



Dimensions of trays // millimeters

BLANK		SPEED	
min	max	1 stack	2 stacks
400 x 480	1200 x 1200	600 trays / hour	1200 trays / hour



See this machine in action!

• 101 Washington Avenue • PMB 232 • Grand Haven, MI 49417 •  
 • Phone : +1-616-843-5566 • info@meca-systeme.com •  
 • www.meca-systeme.com •

**Meca**  
**SYSTEME USA**  
 INNOVATIVE PACKAGING MACHINERY

Since 1980