

Tray erector

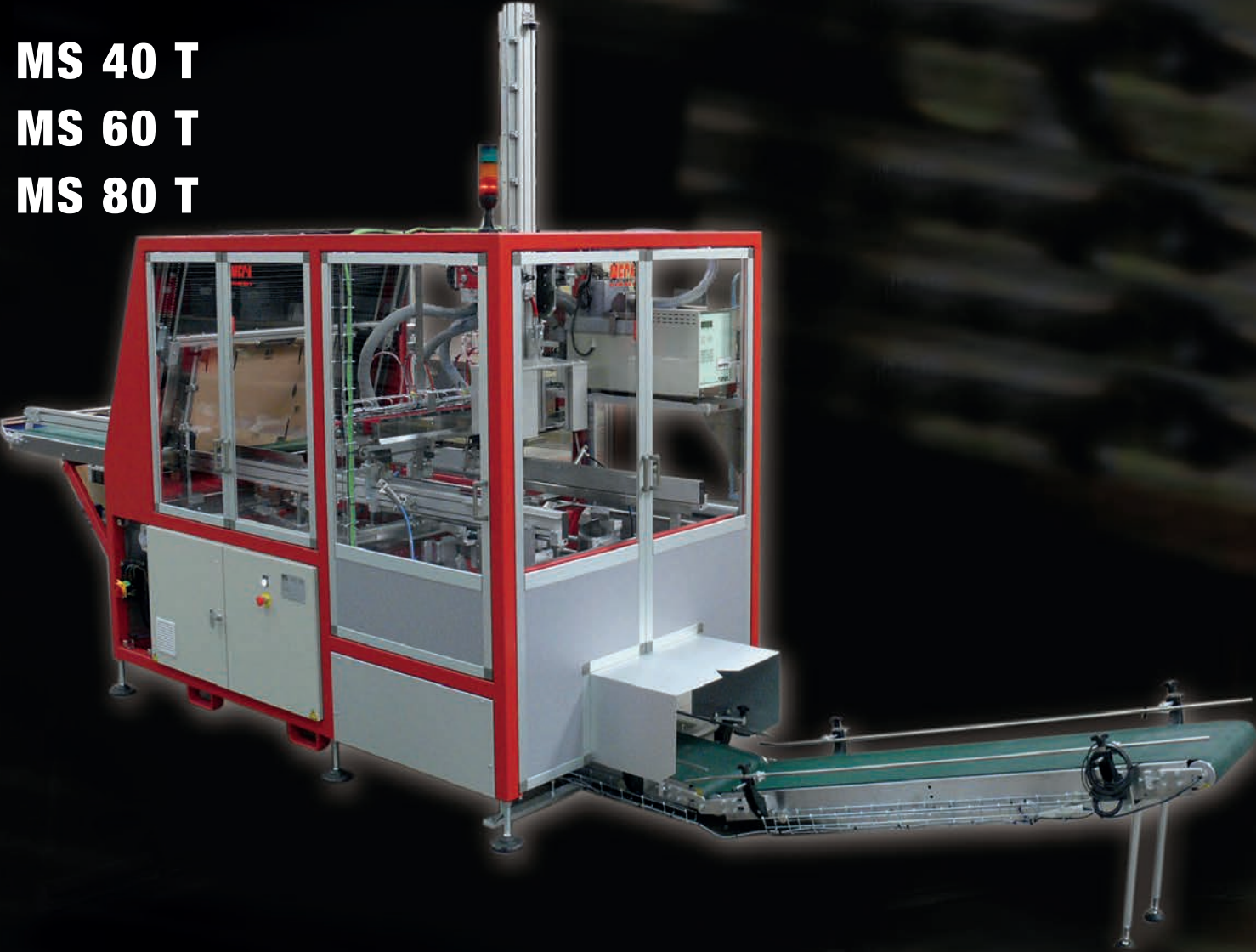
MULTIFORMAT OR MONOFORMAT

For slotted style tray
For trays with stacking shoulders

MS 40 T

MS 60 T

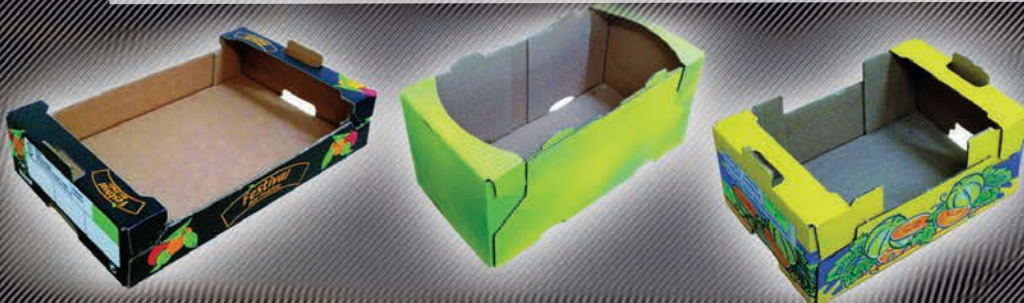
MS 80 T



SPEED: 2 400 TRAYS PER HOUR

Dimensions of trays // millimeters

	WIDTH		LENGTH		HEIGHT		SHOULDERS		BLANK		SPEED
	min	max	min	max	min	max	min	max	min	max	max
MS 40 T	150	400	150	400	60	250	30	60	270 x 270	1020 x 900	1800 t/h
MS 60 T	300	600	300	600	60	250	30	60	420 x 420	1220 x 1100	1800 t/h
MS 80 T	300	600	300	600	100	400	30	60	500 x 660	1520 x 1400	1200 t/h

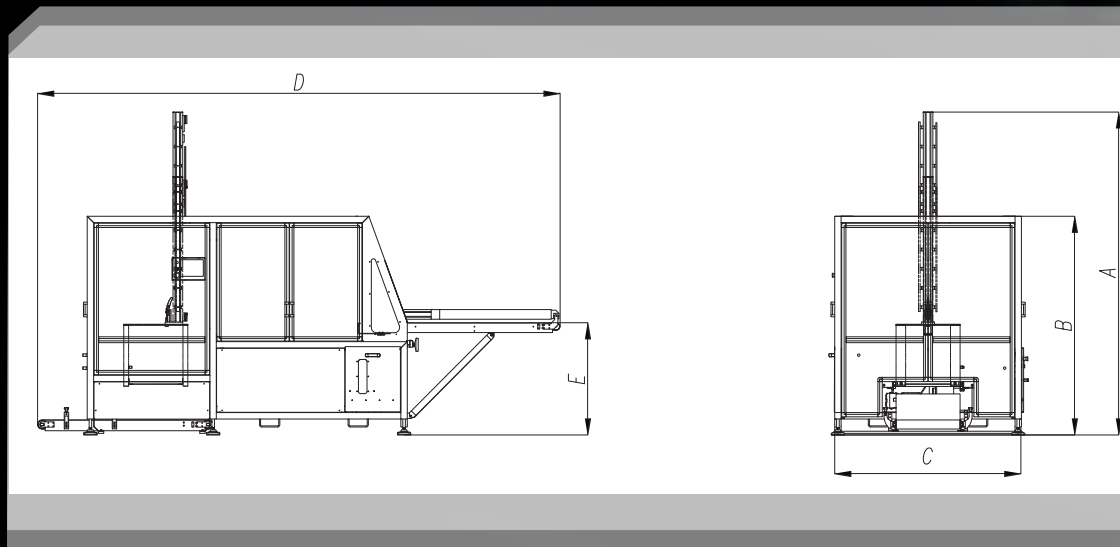


MECA
SYSTEME USA
MECA
INNOVATIVE PACKAGING MACHINERY

Specifications

- ▶ Main movements driven by servomotors linked together by a virtual cam.
- ▶ Construction in stainless steel and profiled aluminum sections on a painted and mechanically welded steel frame.
- ▶ Wide-opening doors enable easy access and maintenance.
- ▶ Quick changeover by handwheels. Average time : 5 minutes.
- ▶ Precise and economical gluing by means of «hot melt» glue nozzle powered by lobe pump.
- ▶ Integrated automatic pellet feeder for hot melt gluing tank (77Lbs).
- ▶ 2,1 gallon glue melter tank.
- ▶ Memorization of glue setting for each tray size.
- ▶ Electrical rating : 12 HP.
- ▶ Pneumatic consumption : 15 cfm @ 100 psi.

OPTIONS ▶ 304L stainless steel frame ▶ Heavy duty casters ▶ Left, right or front tray output conveyor.



Machine : Dimensions // en millimètres

	A	B	C	D	E
MS 40 T	3027	2050	1550	4500	1050
MS 60 T	3027	2050	1750	4750	1050
MS 80 T	3327	2350	2050	5500	1350



See this machine in action!

- 101 Washington Avenue ● PMB 232 ● Grand Haven, MI 49417 ●
- Phone : +1-616-843-5566 ● info@meca-systeme.com ●
- www.meca-systeme.com ●

Meca
SYSTEME USA
Meca

INNOVATIVE PACKAGING MACHINERY

Since 1980