

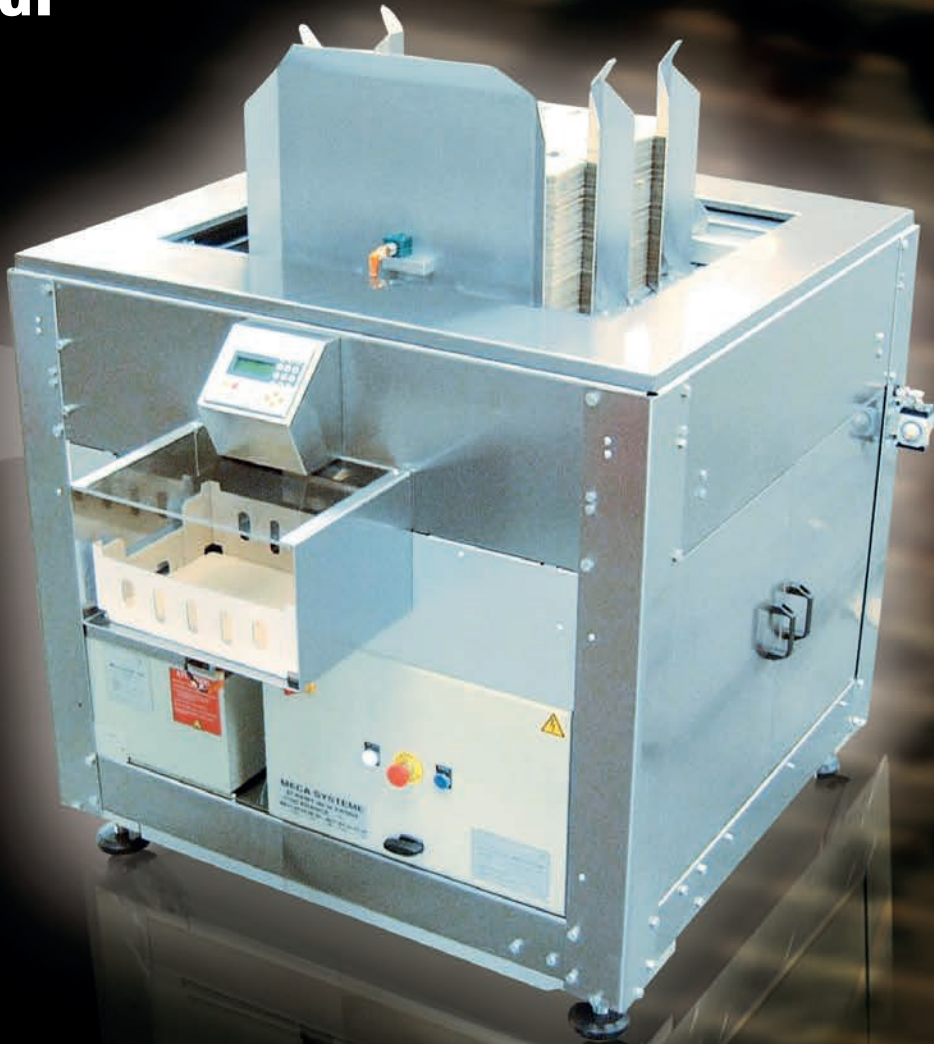
Tray Erector

MONOFORMAT

For end slotted trays "on demand"

BMF 05 PF

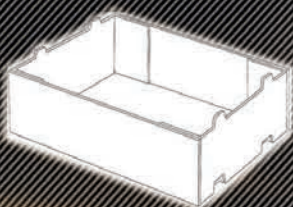
BMF 05 GF



↑ BMF05 PF → SPEED: 400 TRAYS PER HOUR

Dimensions of trays // millimeters

WIDTH		LENGTH		HEIGHT		BLANK	SPEED	
min	max	min	max	min	max	max	max	
BMF 05 PF	200	400	200	400	30	200	800 x 800	up to 400 t/h
BMF 05 GF	200	400	200	600	30	200	1000 x 800	up to 400 t/h



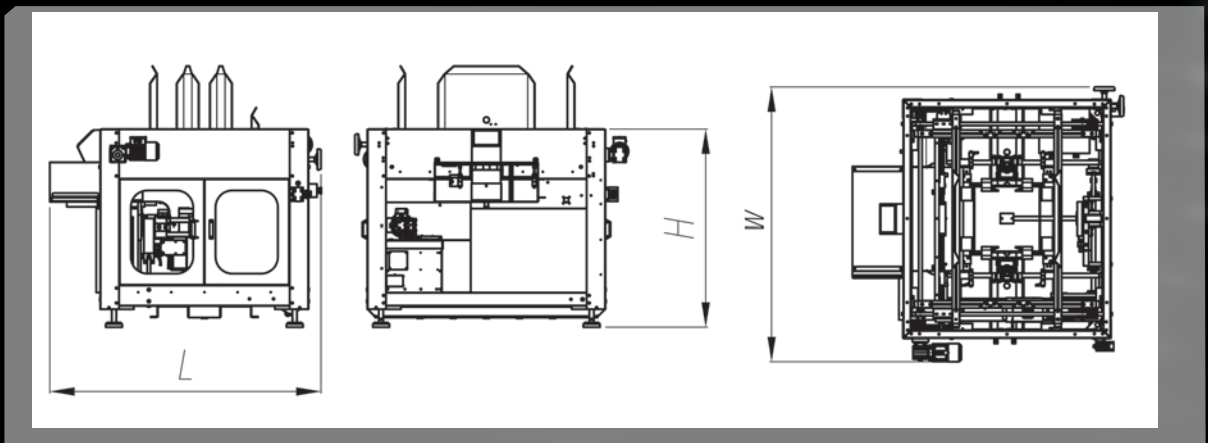
MECA
SYSTEME USA
MILON

INNOVATIVE PACKAGING MACHINERY

Specifications

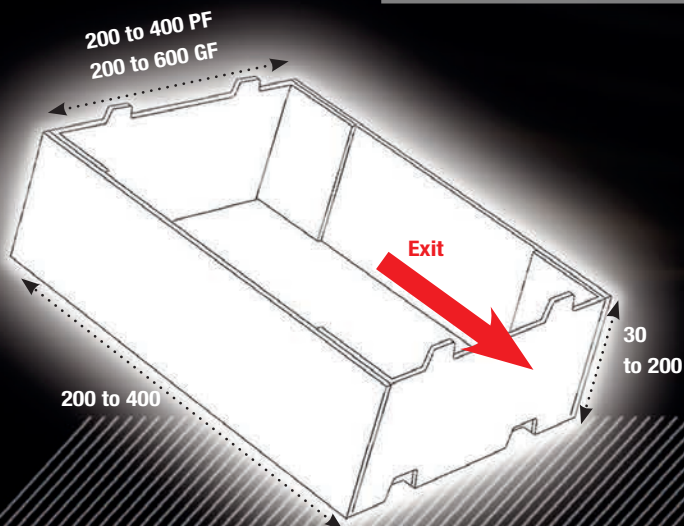
- ▶ Dispensing cartons from a vertical magazine
- ▶ Gluing, folding and forming tray by vertical movement, ejection of tray horizontally (height 750 mm)
- ▶ Speed : up to 400 trays per hour
- ▶ Easy to use, with management by PLC.
- ▶ Accurate and economical use of glue
- ▶ Electrical rating : 9.3 HP.
- ▶ Pneumatic consumption : 9 cfm @ 100 psi.

OPTIONS ▶ 304L stainless steel frame ▶ Heavy duty casters



Machine dimensions // millimeters

	WIDTH [W]	LENGTH [L]	HEIGHT [H]
BMF 05 PF	1237	1157	1567
BMF 05 GF	1437	1157	1567



See this machine in action!

• 101 Washington Avenue • PMB 232 • Grand Haven, MI 49417 •
 • Phone : +1-616-843-5566 • info@meca-systeme.com •
 • www.meca-systeme.com •

Meca
SYSTEME USA
Meca

INNOVATIVE PACKAGING MACHINERY

Since 1980