

Tray erector

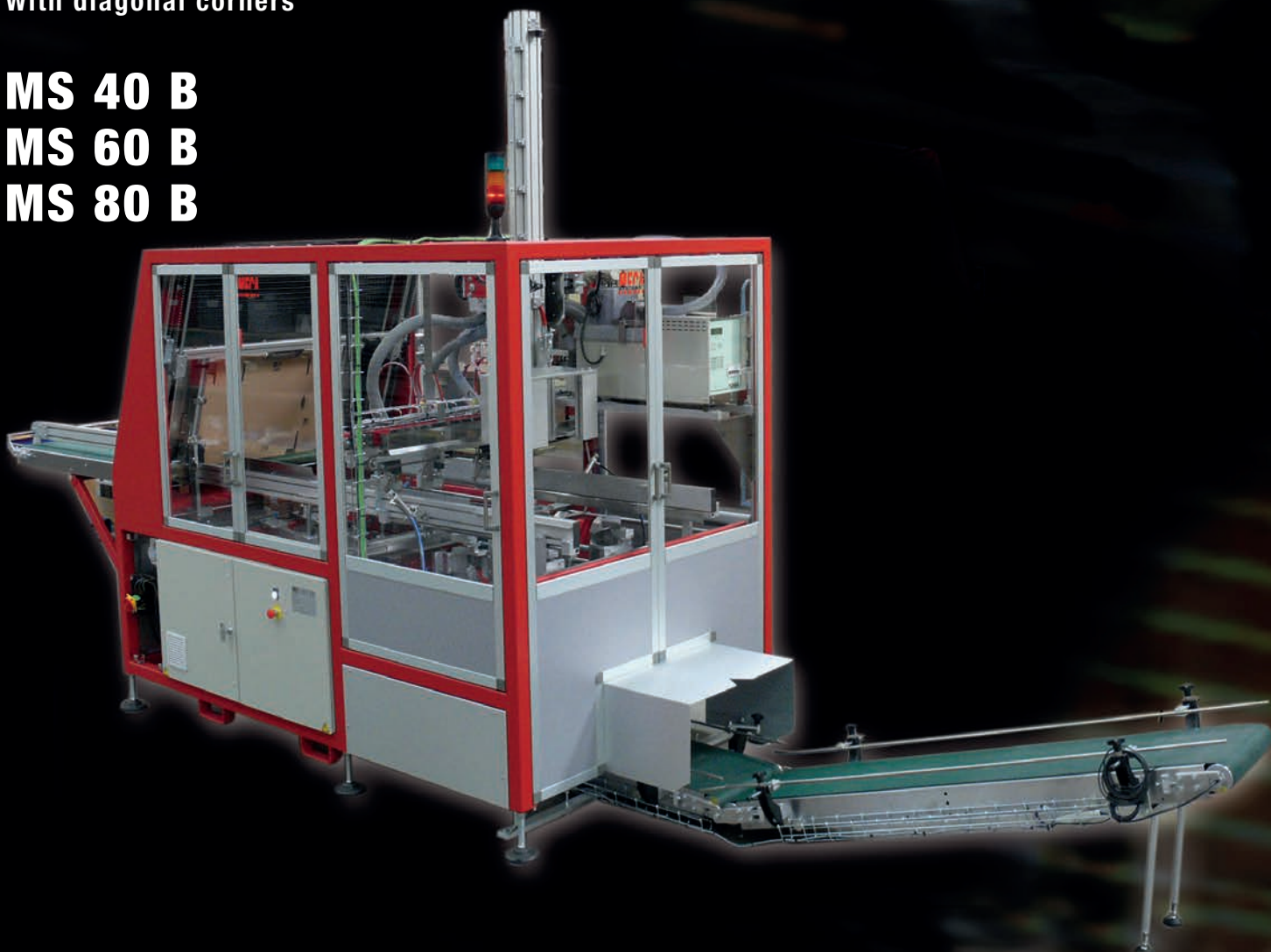
MULTIFORMAT OR MONOFORMAT

- Slotted style tray
- Straight or tapered tray
- With attached lids
- With self locking shoulders
- With diagonal corners

MS 40 B

MS 60 B

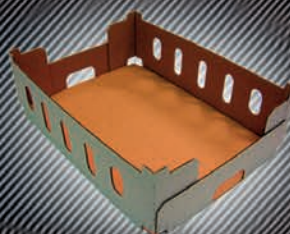
MS 80 B



SPEED: 2400 TRAYS PER HOUR

Dimensions of trays // millimeters

	WIDTH		LENGTH		HEIGHT		BLANK		SPEED
	min	max	min	max	min	max	min	max	max
MS 40 B	150	400	150	400	30	250	210 x 210	1050 x 900	2400 t/h
MS 60 B	300	600	300	600	30	250	420 x 420	1220 x 1100	1800 t/h
MS 80 B	300	600	300	600	50	400	500 x 660	1520 x 1400	1200 t/h

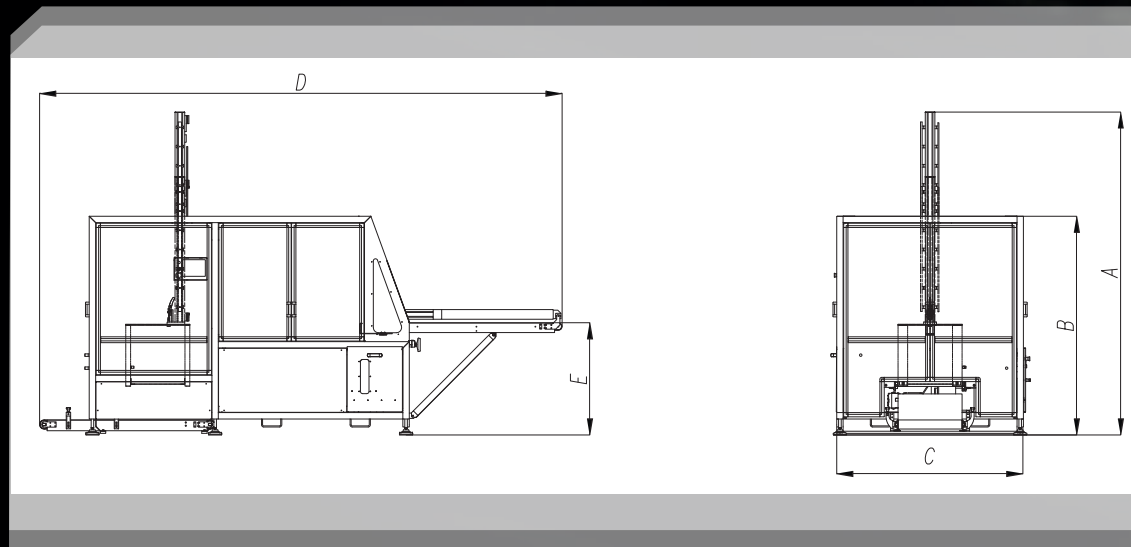


MECA
SYSTEME USA
MECA
INNOVATIVE PACKAGING MACHINERY

Specifications

- ▶ Main movements driven by servomotors linked together by a virtual cam.
- ▶ Construction in stainless steel and profiled aluminum sections on a painted and mechanically welded steel frame.
- ▶ Wide-opening doors enable easy access and maintenance.
- ▶ Quick changeover by handwheels. Average time : 5 minutes.
- ▶ Precise and economical gluing by means of «hot melt» glue nozzle powered by lobe pump.
- ▶ Integrated automatic pellet feeder for hot melt gluing tank (77Lbs)
- ▶ 2,1 gallon glue melter tank.
- ▶ Memorization of glue setting for each tray size.
- ▶ Electrical rating : 12 HP.
- ▶ Pneumatic consumption : 15 cfm @ 100 psi.

OPTIONS ▶ 304L stainless steel frame ▶ Heavy duty casters ▶ Left, right or front tray output conveyor



Machine : Dimensions // en millimètres

	A	B	C	D	E
MS 40 B	3027	2050	1550	4500	1050
MS 60 B	3027	2050	1750	4750	1050
MS 80 B	3327	2350	2050	5500	1350



See this machine in action!

• 101 Washington Avenue • PMB 232 • Grand Haven, MI 49417 •
 • Phone : +1-616-843-5566 • info@meca-systeme.com •
 • www.meca-systeme.com •



INNOVATIVE PACKAGING MACHINERY

Since 1980